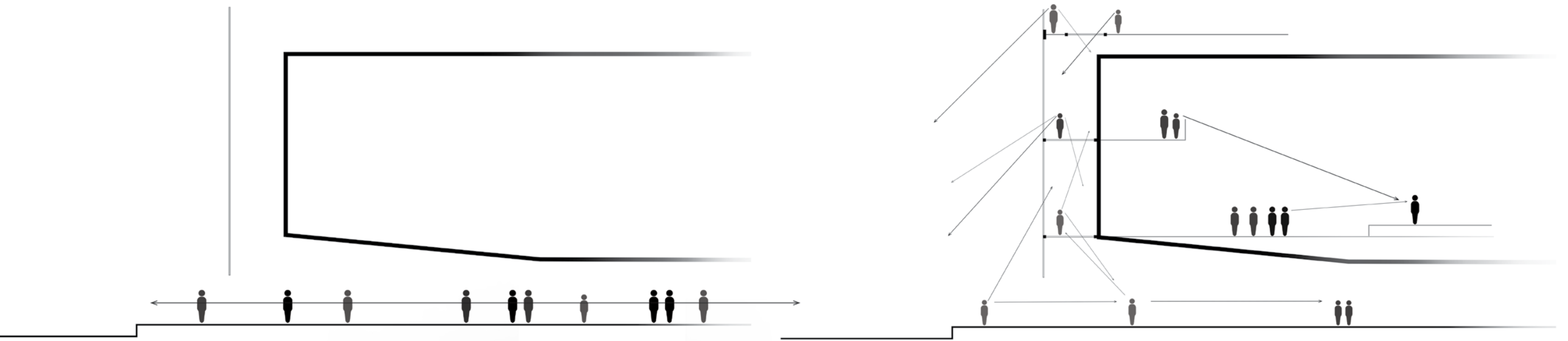


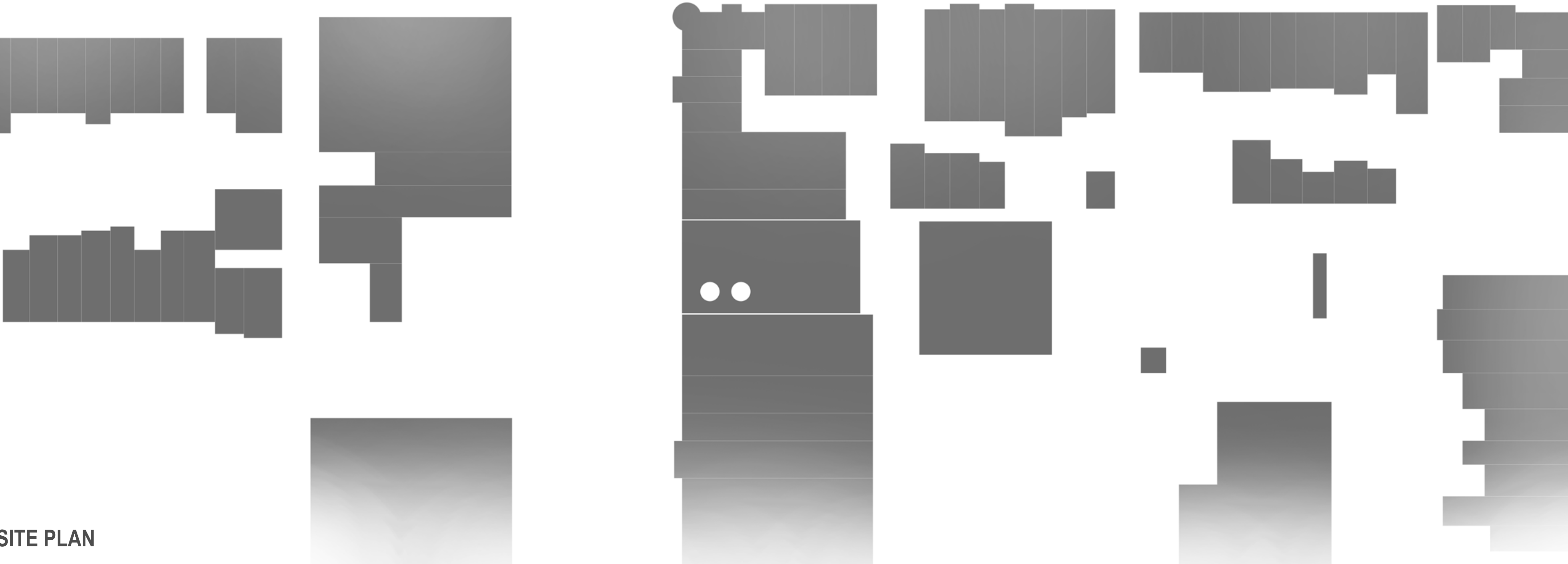


THE STORIES WE CONSTRUCT

**ALICE MULONGO
ARCH 402
PROF. WILLIAMS**



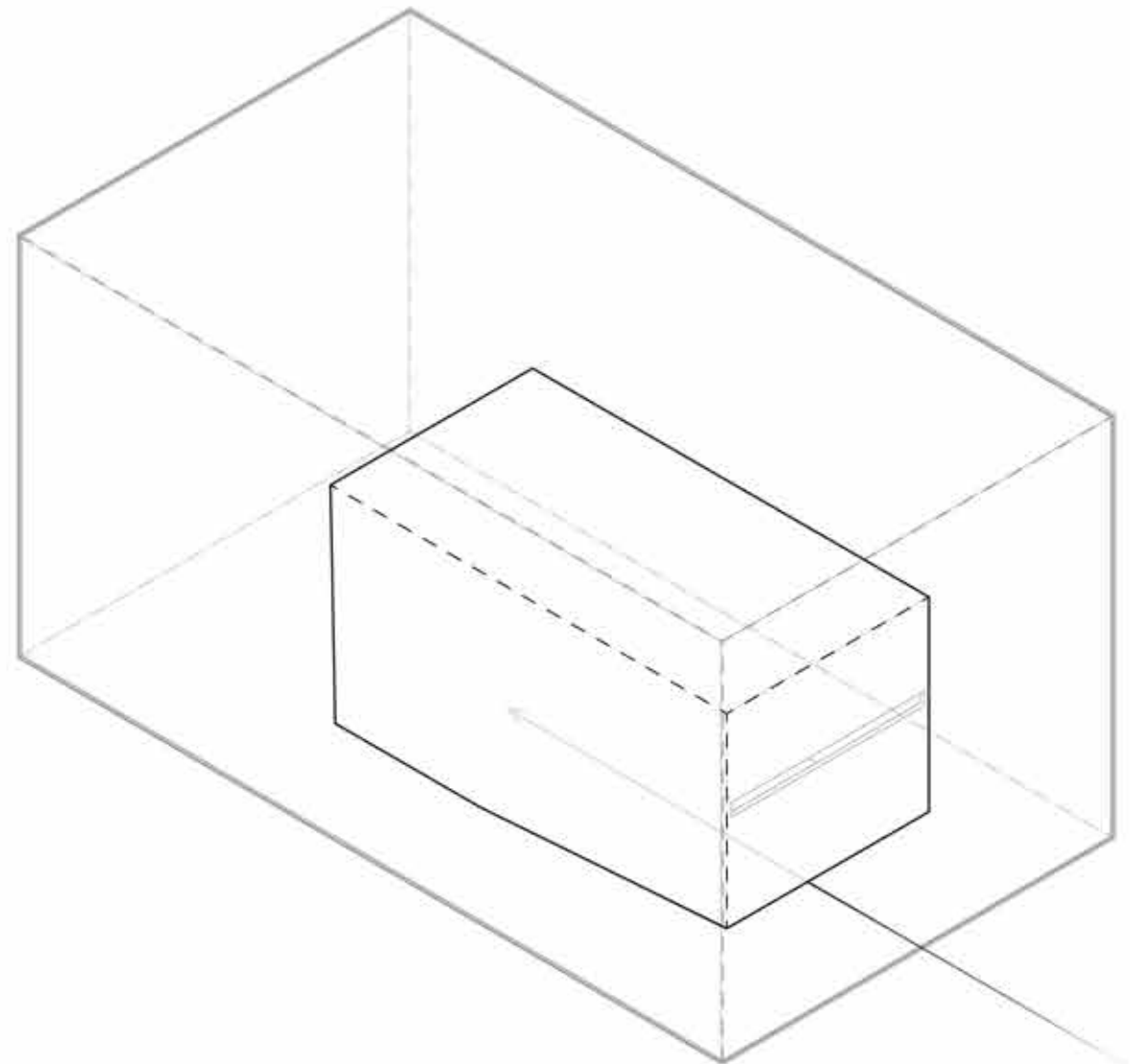
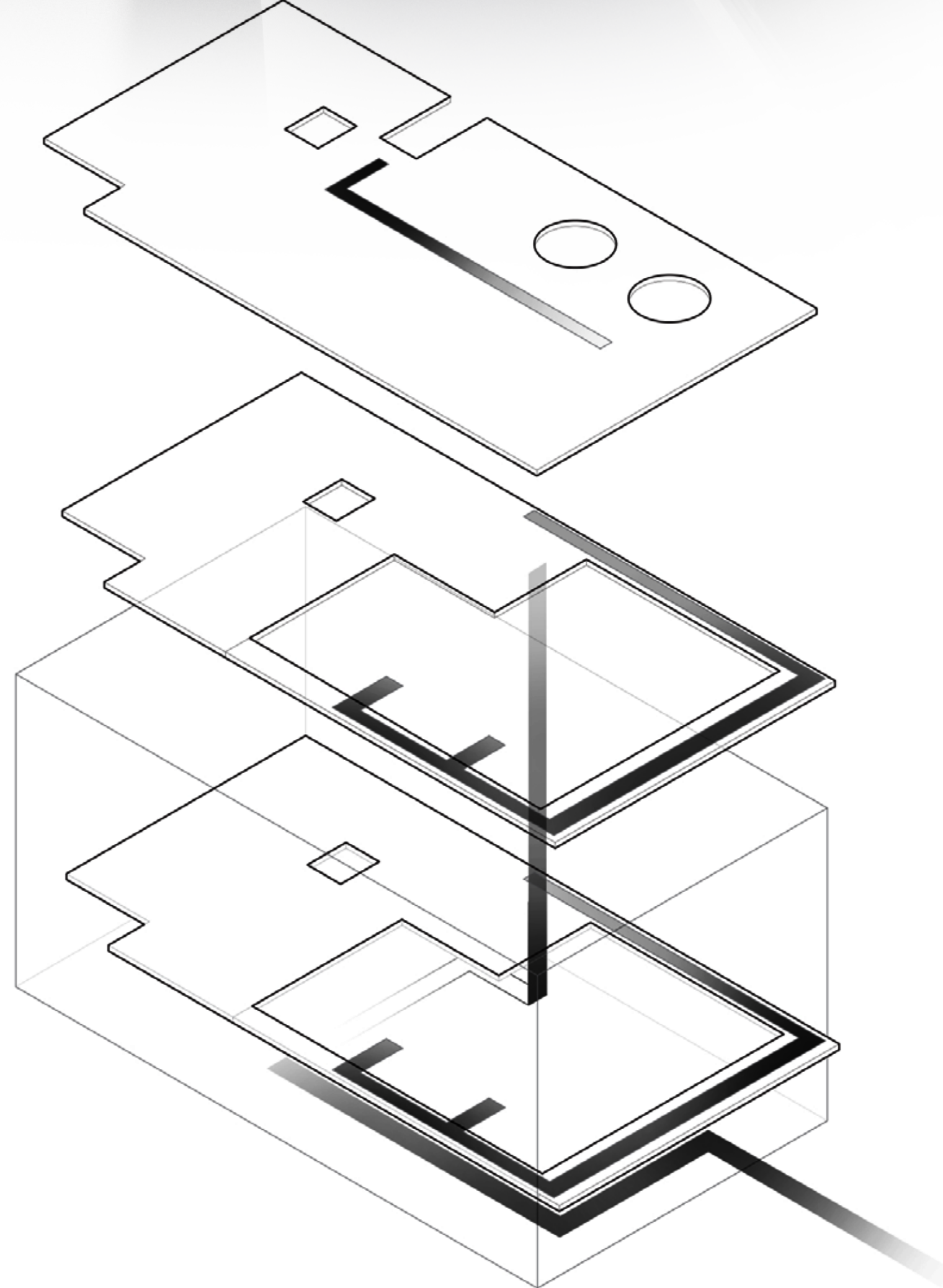
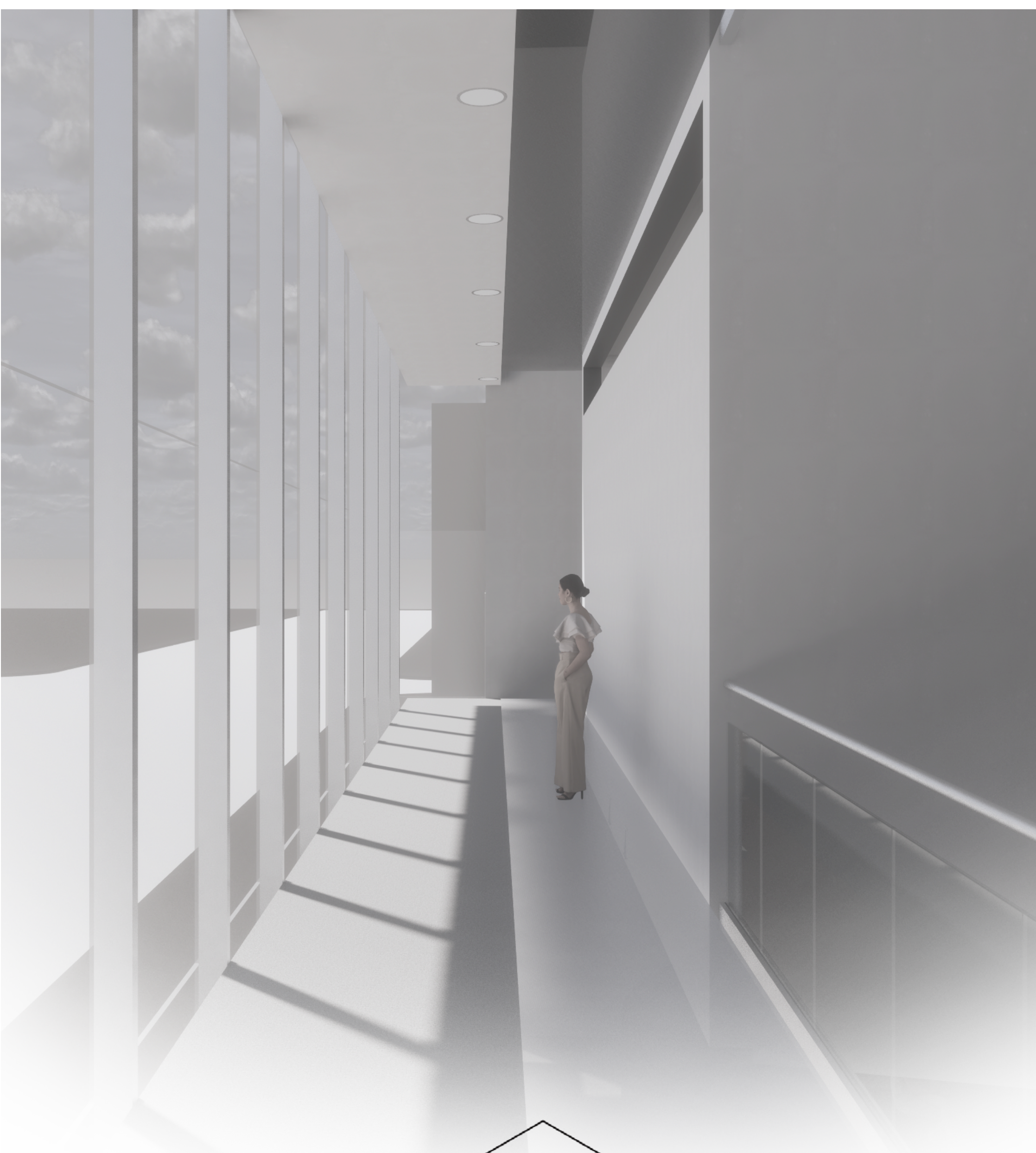
CONCEPT



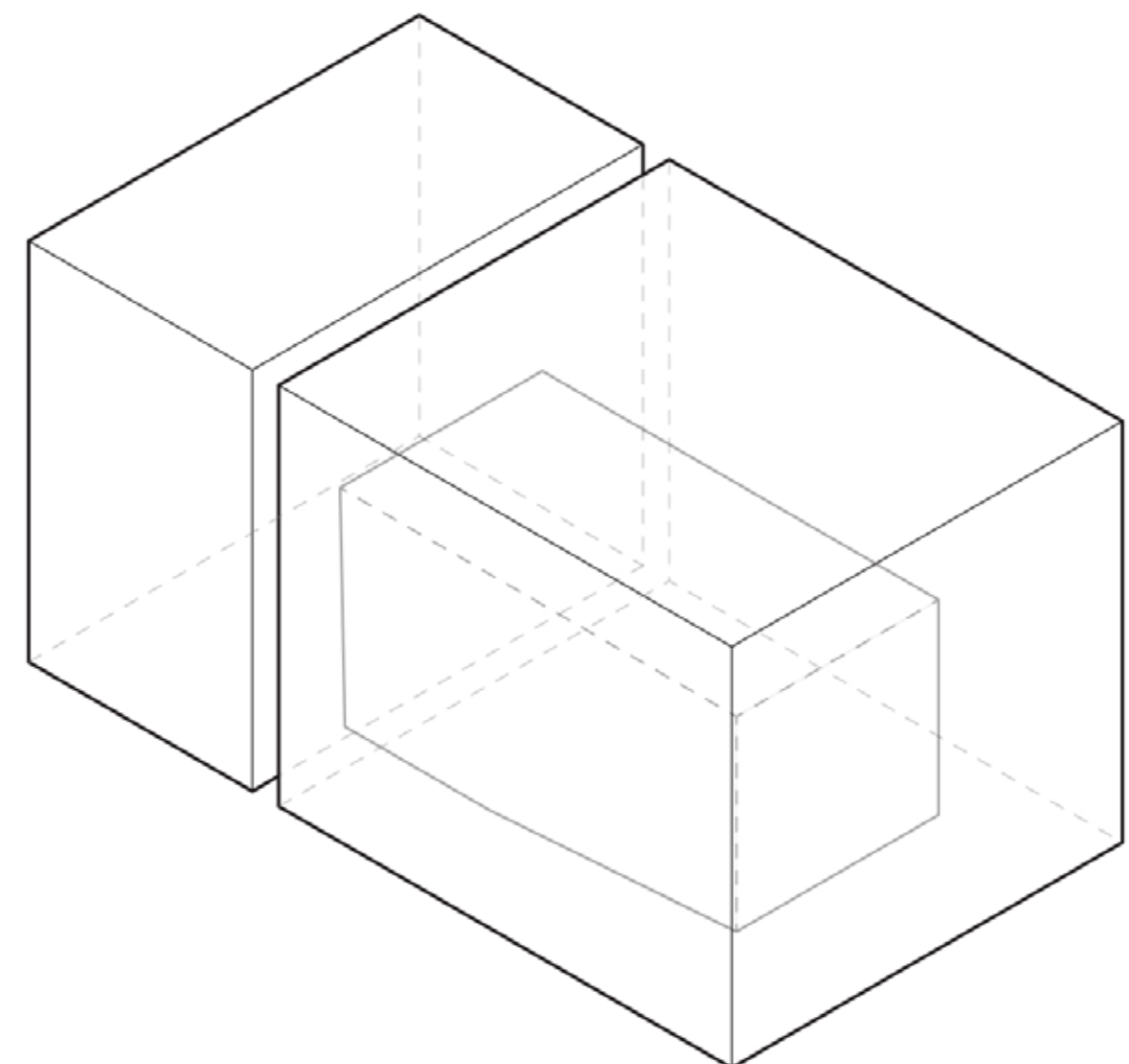
SITE PLAN



LOBBY
FACADE/
PREFUNCTION SPACE

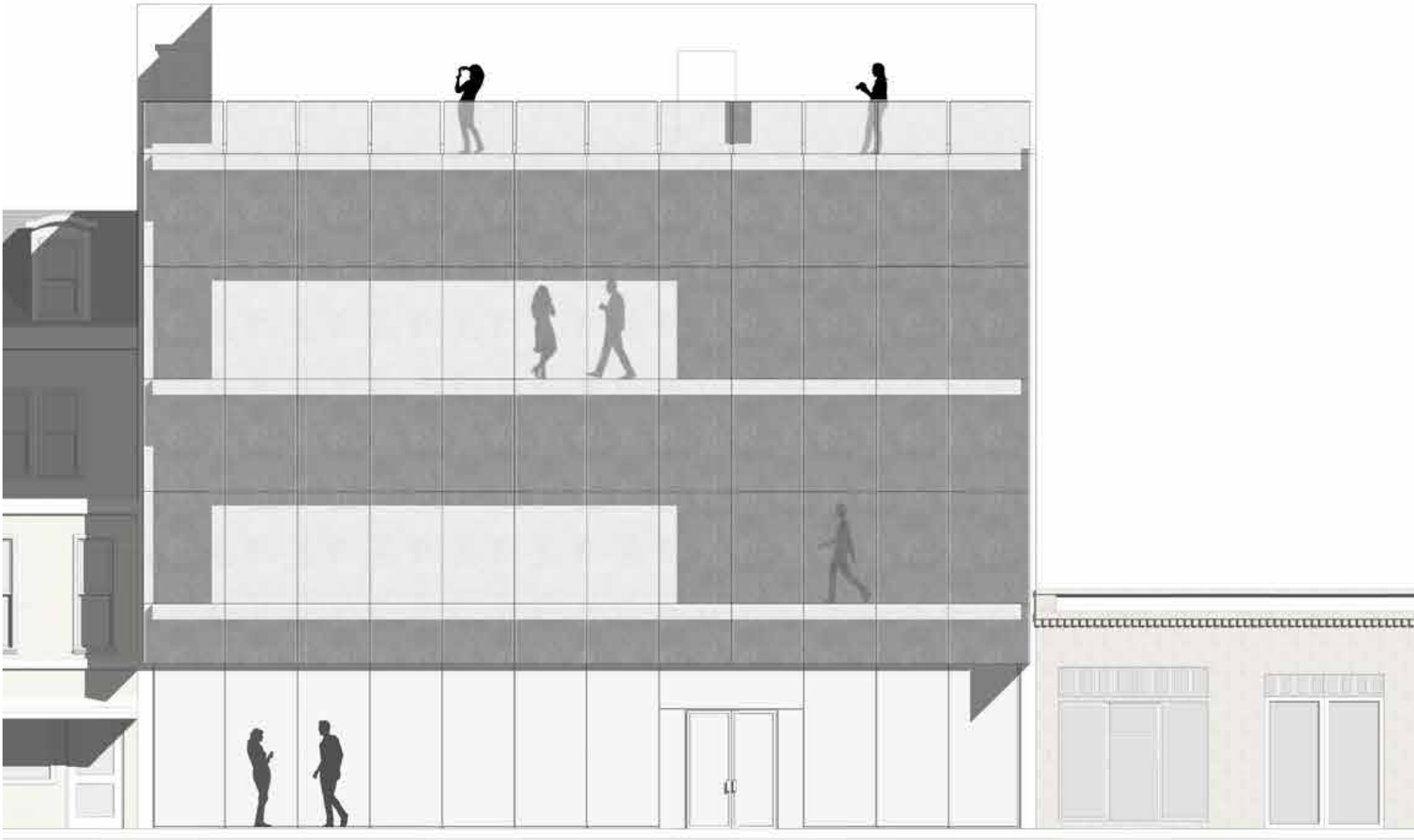


CONTEXT



PROGRAM

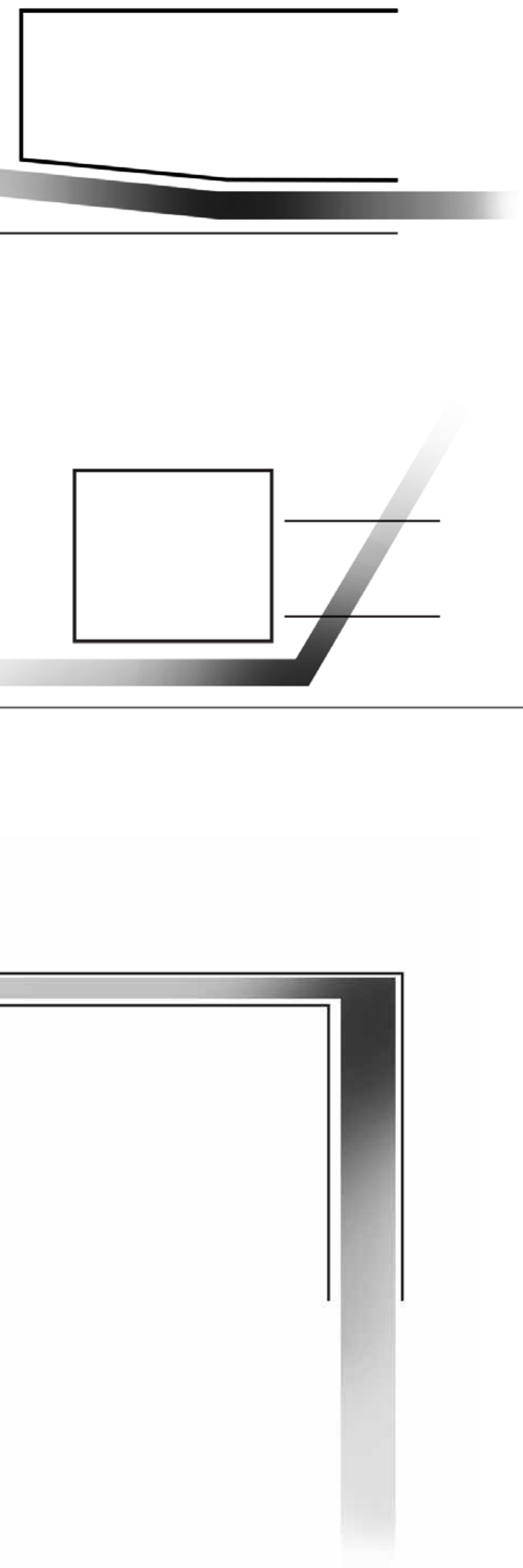
PROMENADE



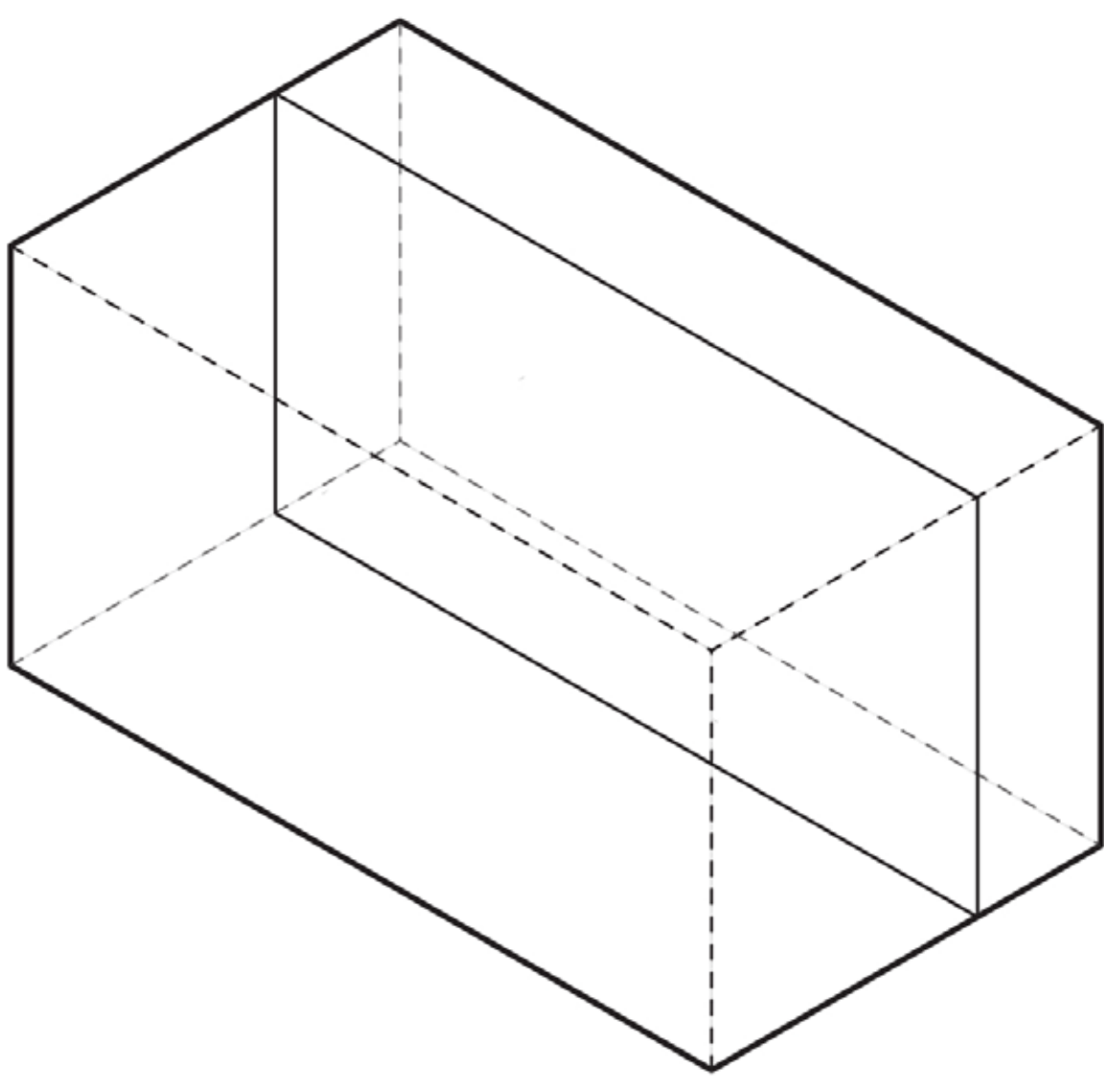
ELEVATION



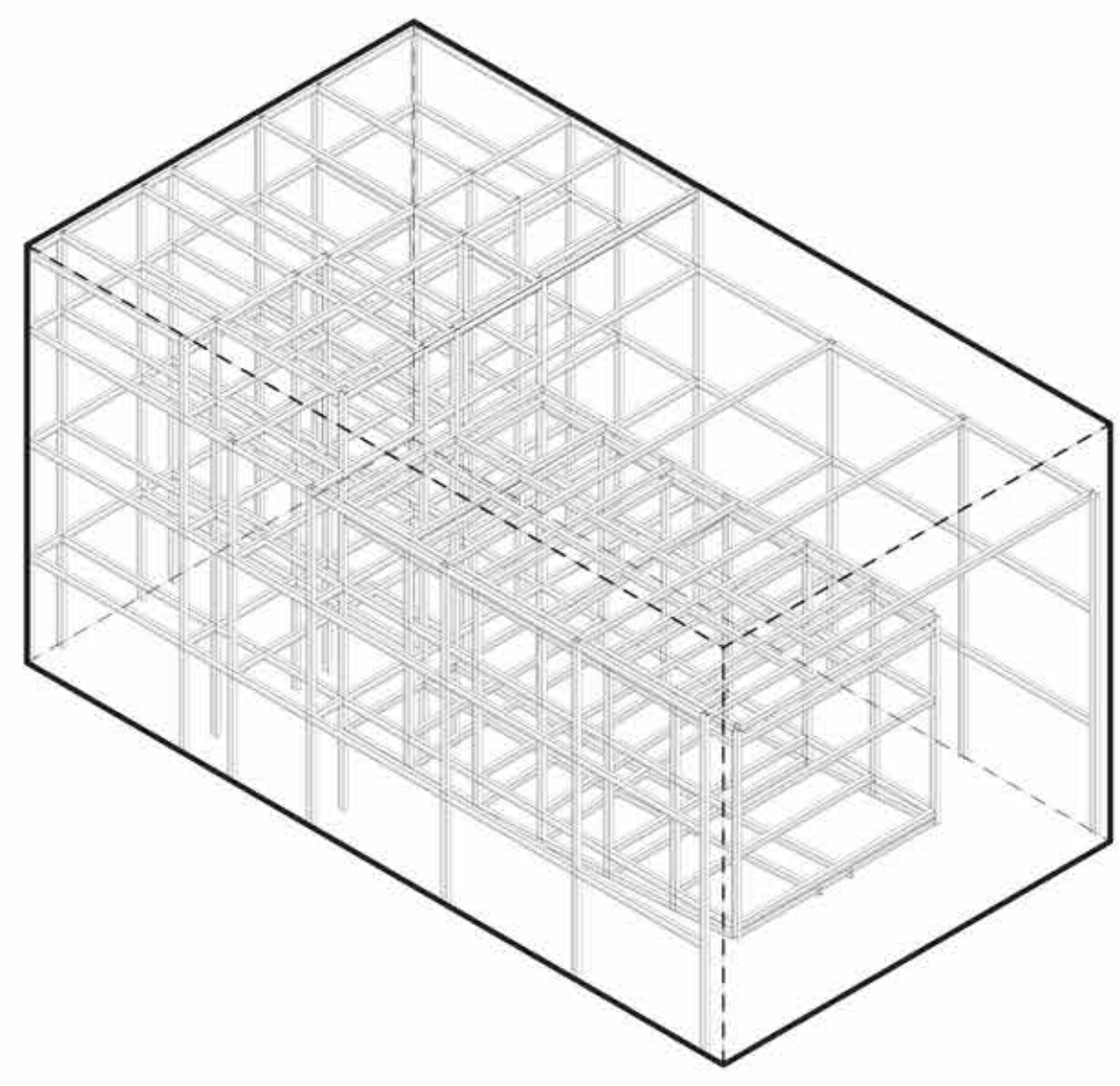
TRANSVERSE SECTION



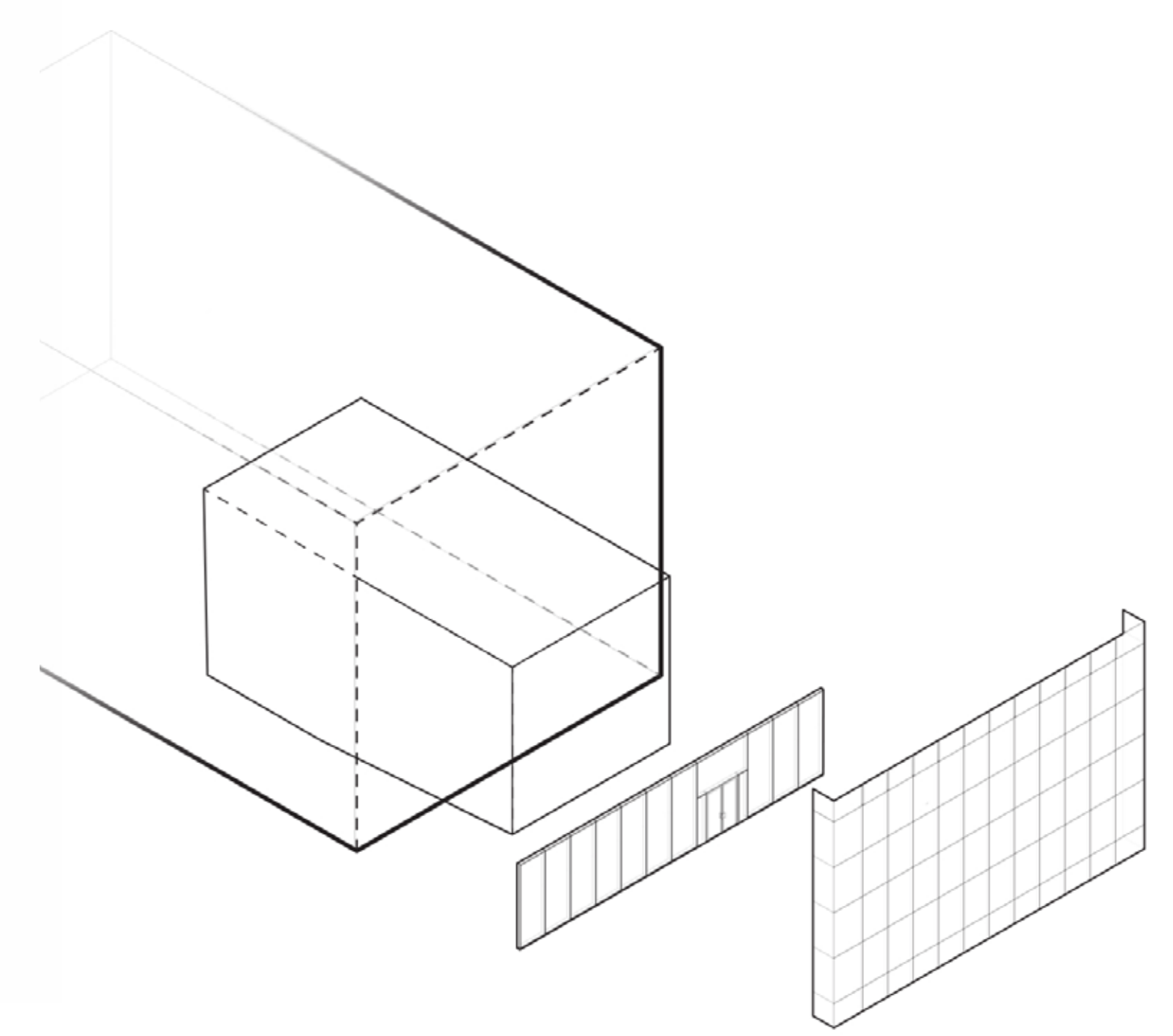
EVENT SPACE
COMPRESSION/ EXPANSION



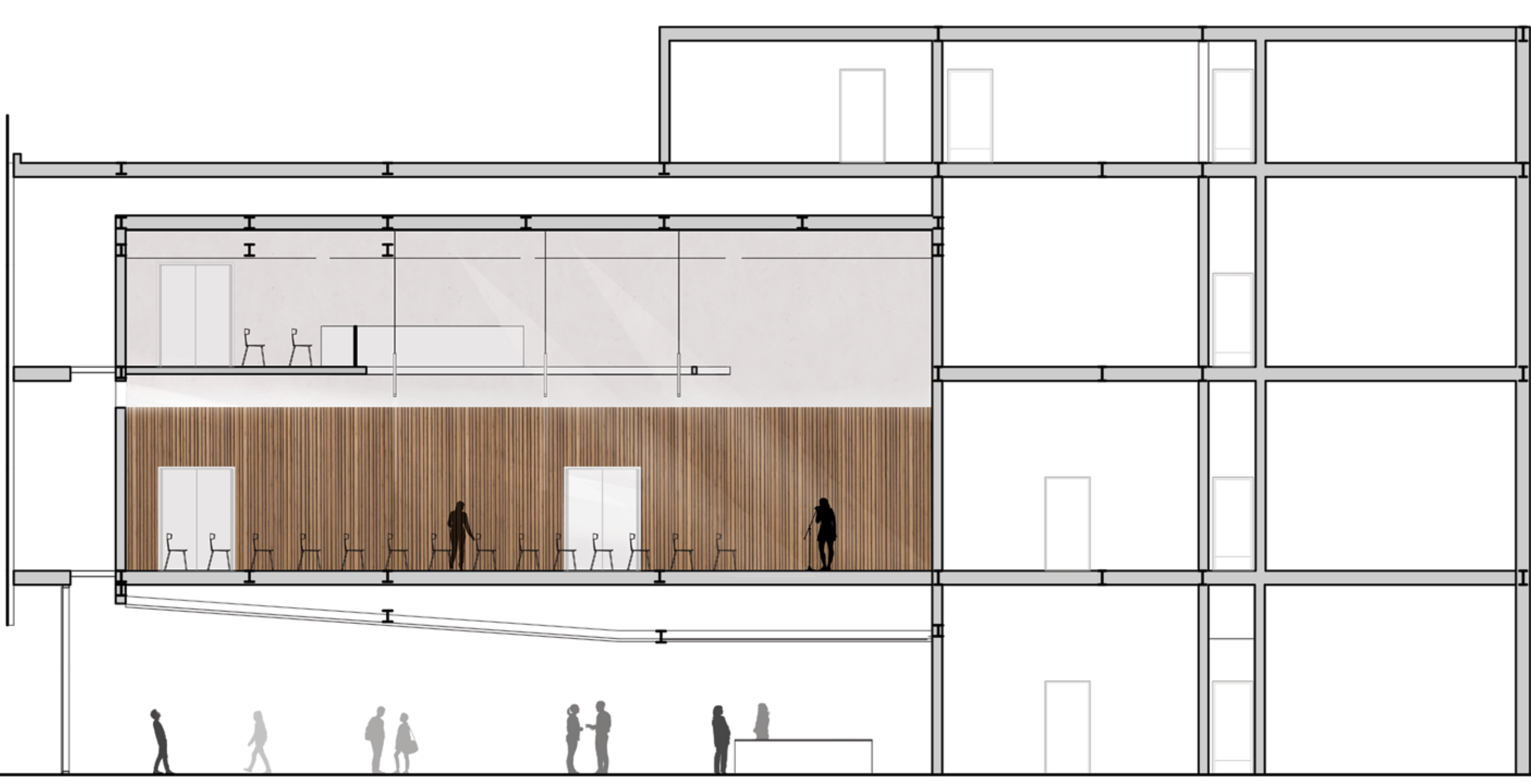
STASIS AND MOTION



STRUCTURE

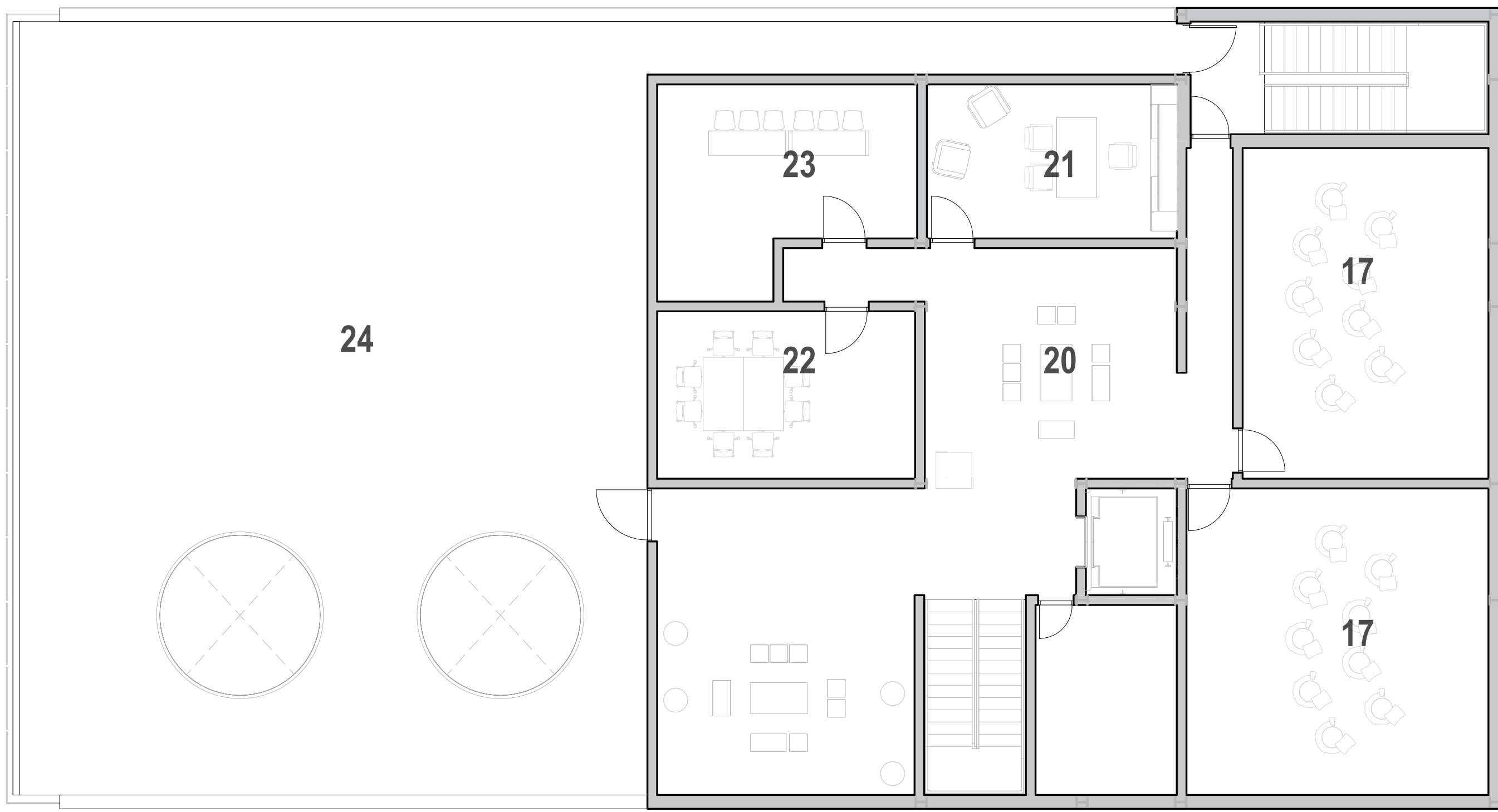


FACADE LAYERS



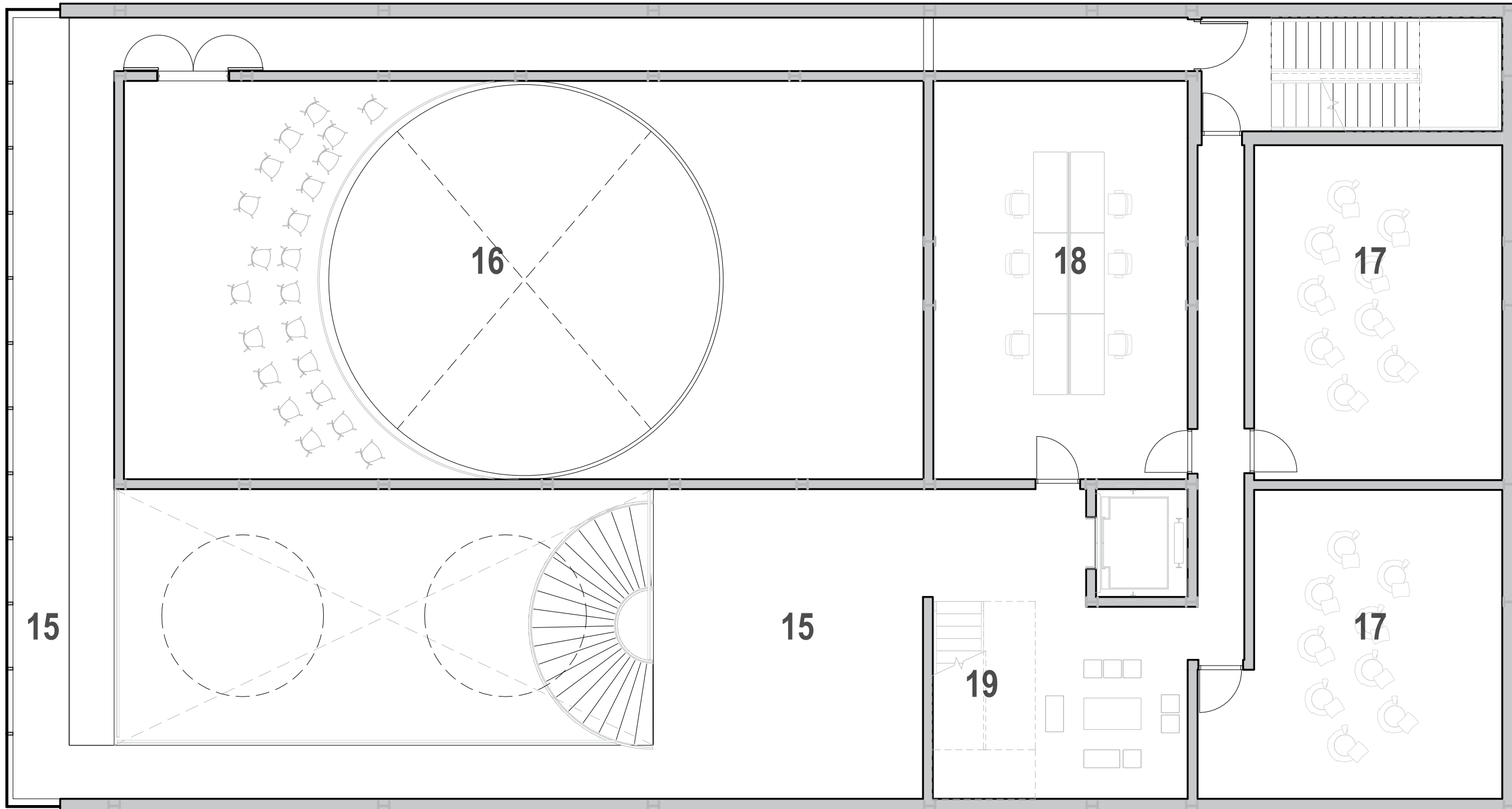
LONGITUDINAL SECTION

- 20. ADMIN LOBBY
- 21. DIRECTOR'S OFFICE
- 22. MEETING ROOM
- 23. BREAK ROOM
- 24. ROOF TOP GARDEN



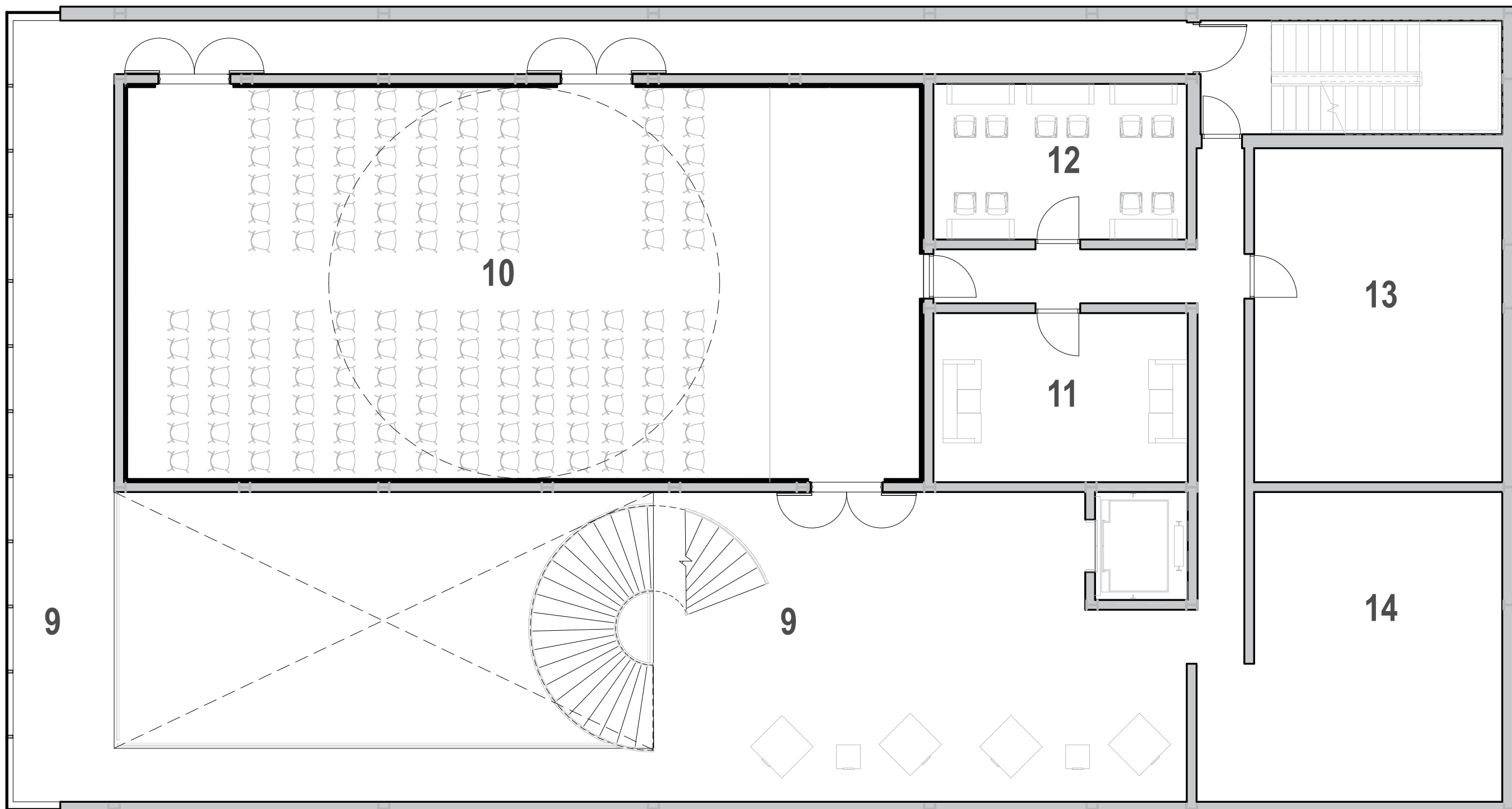
FOURTH FLOOR PLAN

- 15. PREFUNCTION SPACE II
- 16. EVENT SPACE (BALCONY)
- 17. CLASSROOMS
- 18. OPEN OFFICE SPACE
- 19. STAIRS TO UPPER FLOOR



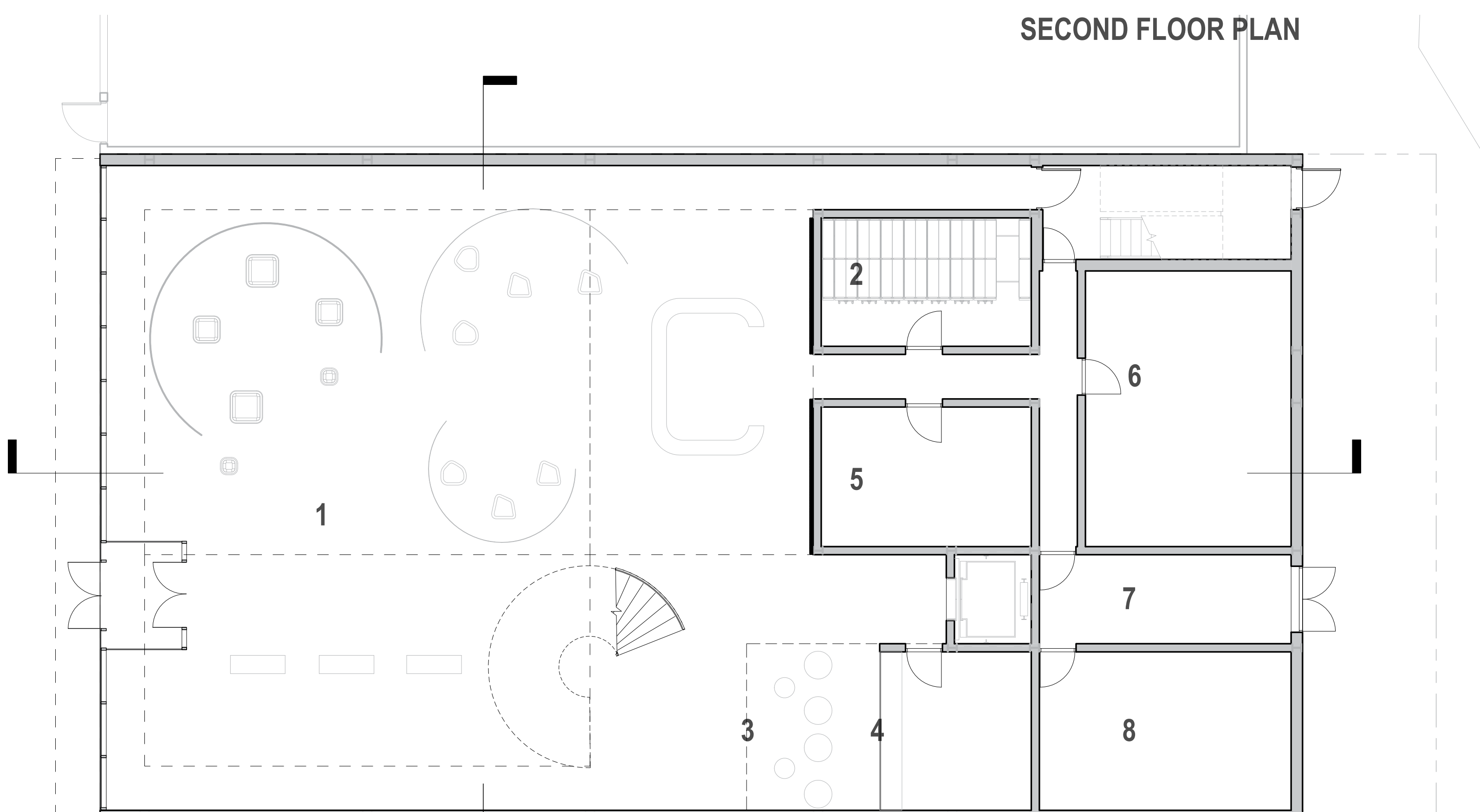
THIRD FLOOR PLAN

- 9. PREFUNCTION SPACE I
- 10. EVENT SPACE
- 11. GREEN SPACE
- 12. DRESSING ROOM
- 13. STORAGE
- 14. RESTROOMS



SECOND FLOOR PLAN

- 1. LOBBY/FLEXIBLE SPACE
- 2. COAT CHECK-OUT
- 3. CAFE
- 4. KITCHEN
- 5. JANITOR & STORAGE
- 6. MECHANICAL
- 7. LOADING
- 8. STORAGE



GROUND FLOOR PLAN

