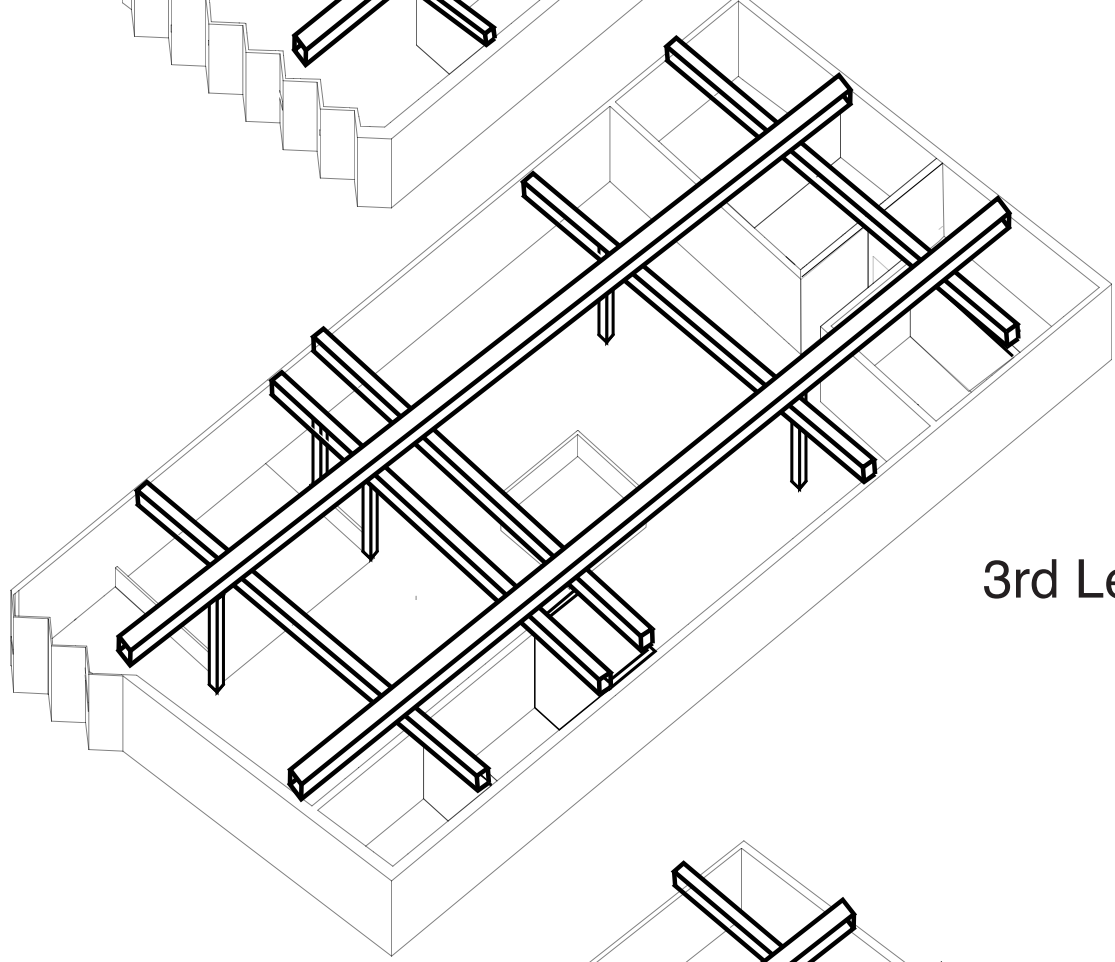
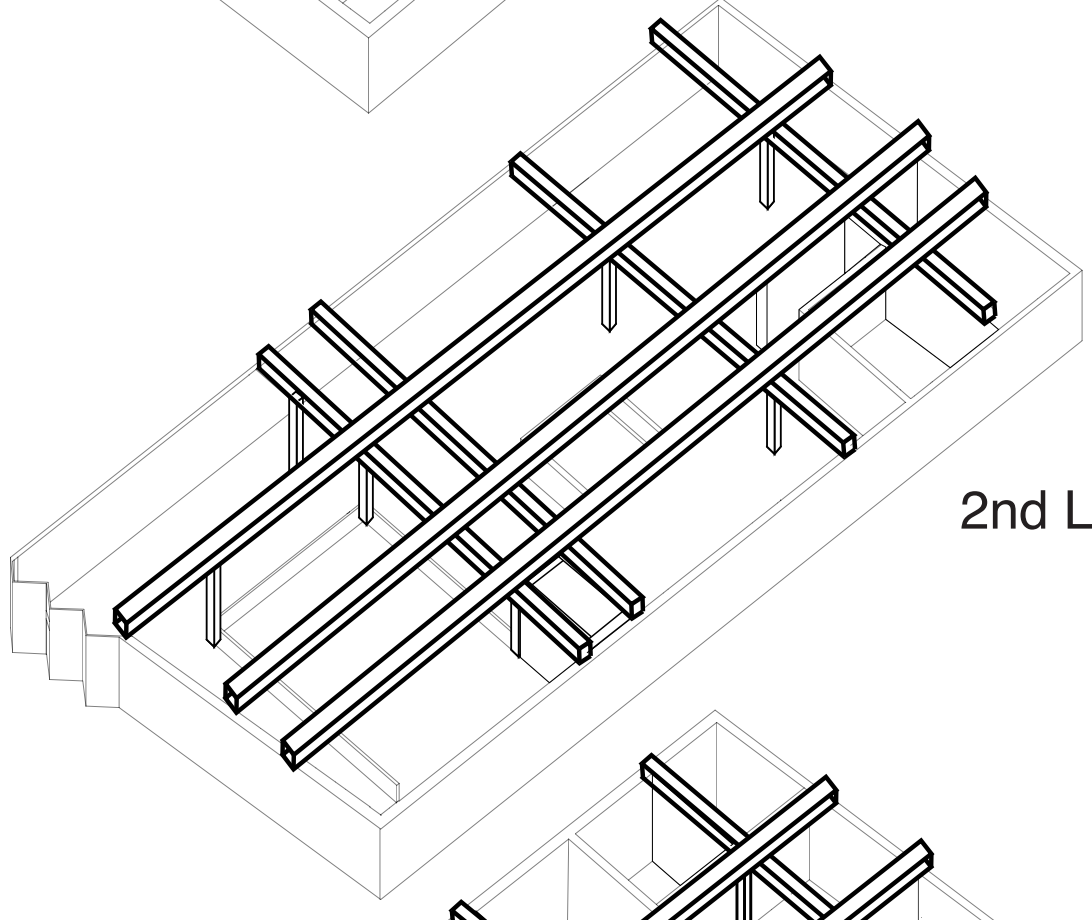


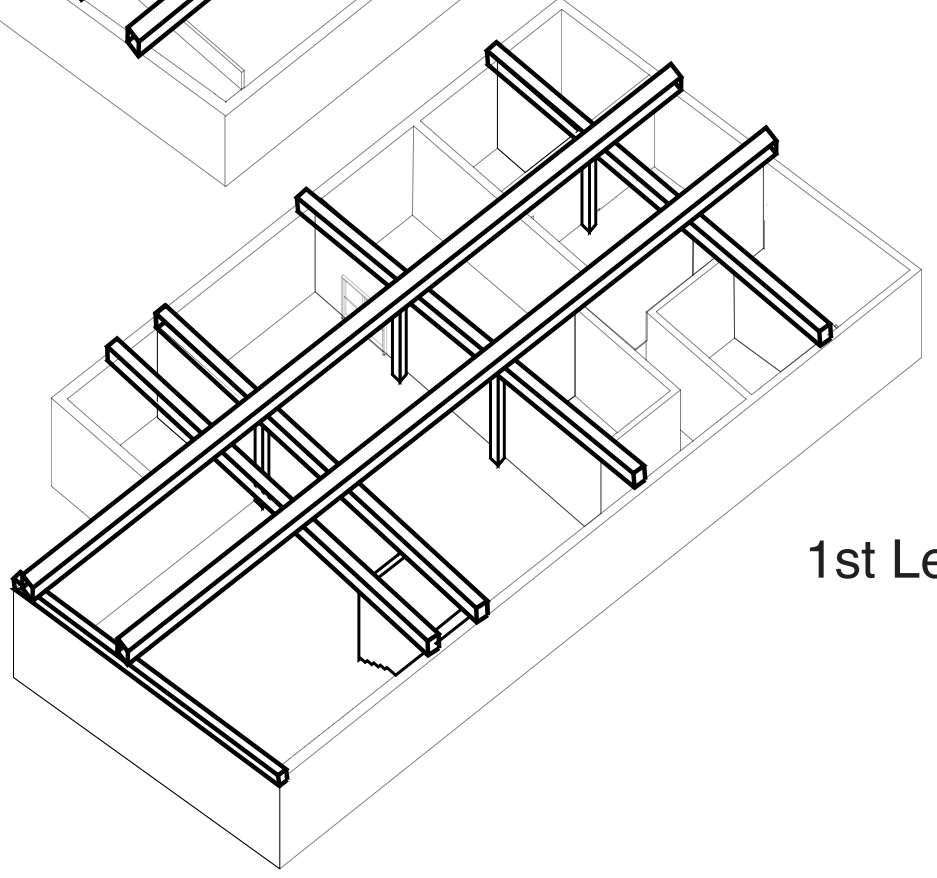
4th Level



3rd Level



2nd Level



1st Level

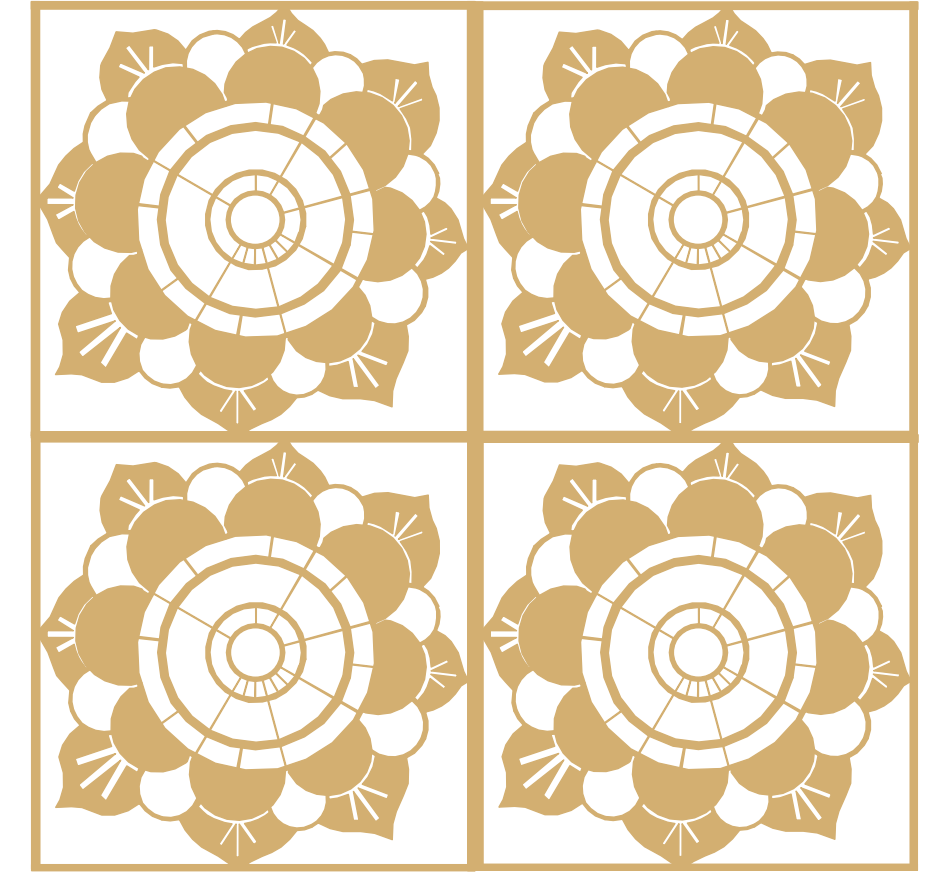
Structure Axonomic  
Scale: NTS



Inspiration



1st Iteration



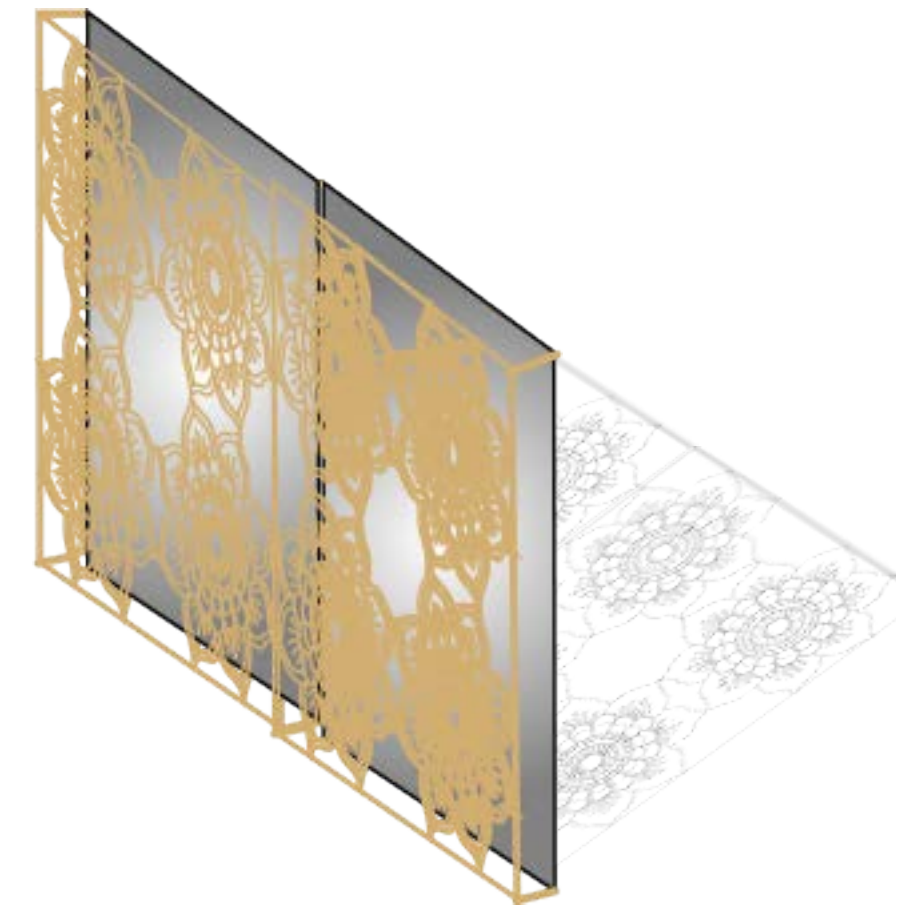
2nd Iteration



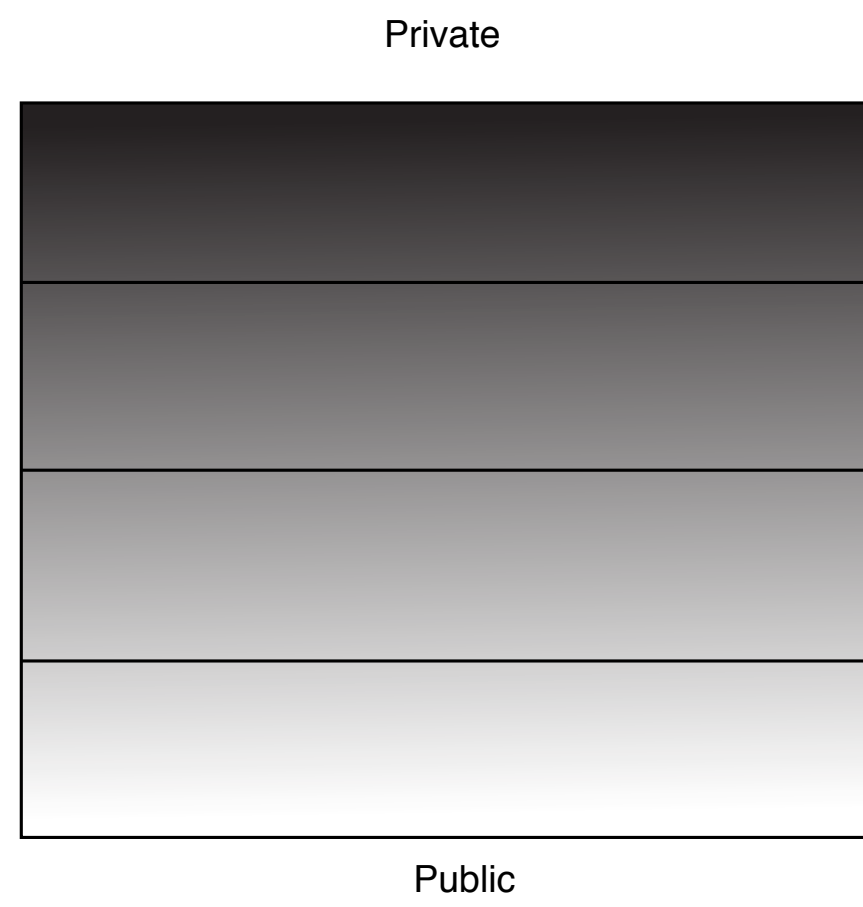
Iron Panel Design

3 ft

3 ft



Curtain Wall Effect



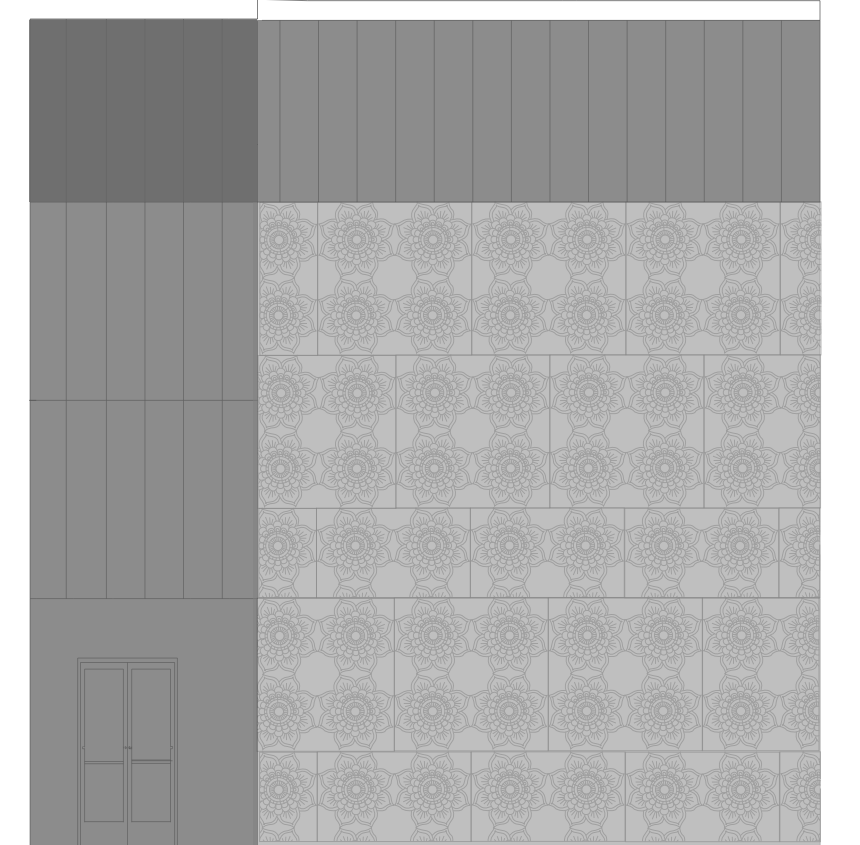
Private

Public

Parti



Circulation



Proportion



Exterior Perspective 1